



FLEXIRAY

FlexiRay™ SFR 4.X

Ultra Slim RFID UHF Antenna

Key Antenna Features

- Esthetic design suitable for indoor / outdoor RFID applications
- Rugged enclosure for industrial and logistic projects
- Low profile and modular antenna length
- Easy and flexible mounting capabilities
- VESA standard / mounting accessories
- Read range up to 10 meters*

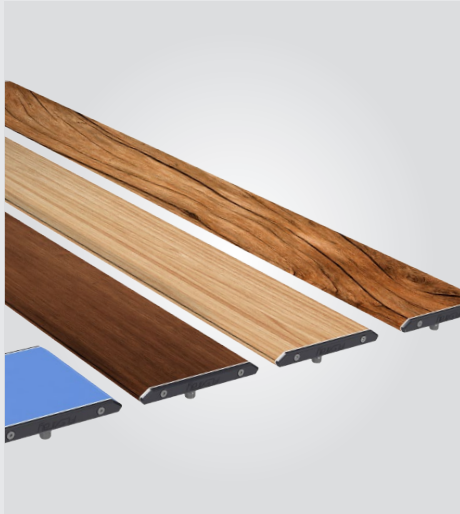
RFID UHF Antenna Description

Modular slim rugged antenna FlexiRay SFR 4.X with high-quality design enables creation of RFID reading zones in entrances, exits, corridors, doors and gates / no matters if indoor or outdoor due to IP65 protection. Esthetic and pleasing design allows deploying the antennas in interiors for asset & people tracking in commercial, retail & library applications include outdoor/ indoor project in logistics and industrial environment, manufacturing, reading on conveyors and production lines.

FlexiRay SFR Antenna Applications

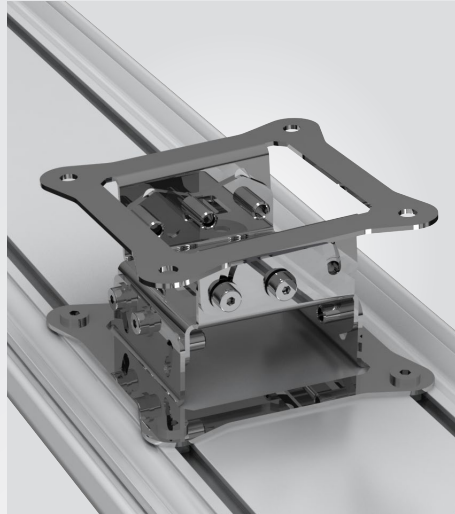
- RFID portals and reading zones in entrances, gates, doors and corridors
- Logistics, warehouse aisles, receiving, replenishment and shipping applications
- Manufacturing, conveyors and production lines
- Asset tracking in retail, commercial and library applications
- Access & attendance control





Color Finish

Our antennas SFR line is designed to be esthetic and suitable for interiors too. No more industrial look of antenna in interior of retail / office / shops etc. We are able to customize finish by 40+ various decors / colors



Mounting - Quick, Easy, No-Hassle

Antenna FlexiRay SFR 4.X provides flexible mounting capability. Industrial standard VESA 75 slot is supporting variety of mounting options: SFR -MA-100 Wall Mount Kit SFR-MA-200 Pole Mounting Kit or SFR-MA-300 Universal Adjustable +/-30° Mount Kit Wall / Pole



Connectors

Antennas are equipped with RP-TNC connector optionally with SMA connector or 250 mm (9,8") pigtail SMA female connector. We are able to customize type of connector. Using EIRP 1 W (maximum is 4 W in FCC band) it can achieve reading distance up to 10 meters*

* Tested in open-air environment, Alien / Impinj reader, 1 W, 4m cable, Alien Squiggle H3 tag

RFID UHF Antenna Technical Specification

Model Number	SFR-42XX	SFR-44XX
Frequency Range	866 - 868 MHz (ETSI)	902 - 928 MHz (FCC)
Polarization	circular RHCP	
Gain	5,5 dBi (8,5 dBic)	7,5 dBi (10,5 dBic)
Impedance	50 Ohms	
Max. Input Power	10 W	
Connector	RP-TNC or SMA female pigtail 25 cm or SMA connector	
VSWR - ETSI	< 1,3 : 1	< 1,3 : 1
VSWR - FCC	< 1,5 : 1	< 1,5 : 1
Dimensions (mm/inch):		
Length	530 mm / 20,87"	1030 mm / 40,55"
Width	140 mm / 5,51"	140 mm / 5,51"
Height (without connector)	14 mm / 0,55"	14 mm / 0,55"
Weight (kg/lb)	1,2 kg / 2,65 lbs	2,5 kg / 5,5 lbs
Protection Class	IP65	
Operating Temperature	-25°C / 60°C	

Ordering Code

ETSI (865 - 868 MHz), RP-TNC	SFR-4200	SFR-4400
ETSI (865 - 868 MHz), SMA (F)	SFR-4210	SFR-4410
ETSI (865 - 868 MHz), SMA (F) pigtail 25 cm	SFR-4220	SFR-4420
FCC (902 - 928 MHz), RP-TNC	SFR-4201	SFR-4401
FCC (902 - 928 MHz), SMA (F)	SFR-4211	SFR-4411
FCC (902 - 928 MHz), SMA (F) pigtail 25 cm	SFR-4221	SFR-4421



EUROPEAN UNION
European Regional Development Fund
Operational Programme Enterprise
and Innovations for Competitiveness

FLEXIRAY

Barco, s.r.o.
Hradistska 766, 687 08 Buchlovice
Czech Republic
Tel.: +420 572 520 052
Fax: +420 572 520 032
E-mail: flexiray@barco.cz

www.flexiray.com