



Bar code scanners  
CLV43x / CLV430 / Long Range

CLV430-0010



**Model Name** > [CLV430-0010](#)  
**Part No.** > [1017585](#)



**At a glance**

- Reliable code recognition in real time using SMART technology
- Immune to ambient light
- Auto setup ensures automatic optimizing of reading performance
- Reflector polling provides automatic triggering
- Profile programming included
- Adjustable scanning frequency up to 800 scans per second

**Your benefits**

- SMART-enhanced read rates enable better performance with damaged or poorly printed codes
- Reliably reads bar codes with up to 30 degrees of tilt, increasing throughput
- No additional trigger light switch necessary due to the reflector polling function, reducing costs
- Extremely easy to configure, shortening commissioning time
- Reliable operation
- Small size and simple setup enables fast installation, even in compact machines
- Parameter cloning plug ensures very short MTTR

**Note: The product is currently being phased out and can be ordered until September 30, 2013. A replacement product can be found under "Replacement Products"**



**Features**

Version:	Long Range
Connection type:	Standard
Reading field:	Front
Scanner design:	Line scanner
Focus:	Fixed focus
Light source:	Visible red light (650 nm)
MTBF:	20,000 h
Laser class:	2 (DIN EN 60825-1)
Field of view:	≤ 50 °
Scanning frequency:	300 Hz ... 800 Hz

Code resolution:	0.35 mm ... 0.5 mm
Reading distance (at code resolution):	170 mm ... 580 mm (0.5 mm)

## Performance

Bar code types:	Interleaved 2 of 5, all current code types, Codabar, Code 128, Code 39, Code 93, EAN, EAN 128, UPC
Print ratio:	2:1 ... 3:1
No. of codes per scan:	1 ... 20 (Standard decoder) 1 ... 6 (SMART decoder)
No. of codes per reading interval:	1 ... 50 (auto-discriminating)
No. of characters per reading interval:	500
No. of multiple readings:	1 ... 99

## Interfaces

Serial (RS-232, RS-422/485):	✓
Remark (Serial (RS-232, RS-422/485)):	AUX (only RS-232)
Function (Serial (RS-232, RS-422/485)):	Host, AUX
Data transmission rate (Serial (RS-232, RS-422/485)):	300 Baud ... 57,600 Baud , AUX: 9,600 Baud
Ethernet:	-
Remark (Ethernet):	optional via external connection module (CDM + CMF)
CAN bus:	✓
Function (CAN bus):	CAN sensor network (Master/Slave, Multiplexer)
Protocol (CAN bus):	CANopen, CSN (SICK CAN sensor network)
Data transmission rate (CAN bus):	10 kbit/s ... 1 Mbit/s
PROFIBUS:	-
Remark (PROFIBUS):	optional via external connection module (CDM + CMF)
PROFINET:	-
DeviceNet:	-
Remark (DeviceNet):	optional via external connection module (CDM + CMF)
Switching inputs:	2 ("Sensor 1", "Sensor 2")
Switching outputs:	2 ("Result 1", "Result 2")
Reading pulse:	non-powered, Reflector polling, "Sensor 1" switching input, serial interface
Optical indicators:	4 LEDs (function indicator)
Acoustic indicators:	Beeper/buzzer (can be switched off, can be allocated as a result status indication function)

## Mechanics/electronics

Electrical connection:	1 15-pin D-Sub HD plug (0.9 m)
Operating voltage:	10 V DC ... 30 V DC <sup>1)</sup>
Power consumption:	4 W
Housing:	Die-cast zinc, does not contain paint wetting impairment substances
Housing color:	light blue (RAL 5012)
Enclosure rating:	IP 65 (EN 60529 (1991-10))
Protection class:	III (EN 61140 (2002-03))
Weight:	420 g, with connecting cable
Dimensions:	90 mm x 60 mm x 35.7 mm

<sup>1)</sup> UL certified for use with a Class 2 mains supply unit (checked to UL 1310)

## Ambient data

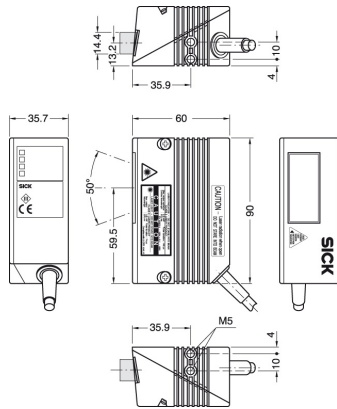
Electromagnetic compatibility (EMC):	EN 61000-6-2 (2001-10)/EN 61000-6-4 (2001-10)
Vibration resistance:	IEC 60068-2-27 (1993)

Shock resistance:	IEC 600682-6 (1995)
Ambient operating temperature:	0 °C ... 40 °C
Storage temperature:	-20 °C ... 70 °C
Permissible relative humidity:	± 90 %, non-condensing
Ambient light safety:	2,000 lx, on bar code
Bar code print contrast (PCS):	≥ 60 %

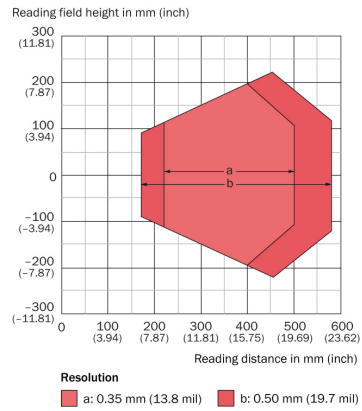
### General notes

Life cycle phase: phased out

### Dimensional drawing



### Reading field diagram



**Australia**

Phone +61 3 9497 4100  
1800 334 802 – tollfree  
E-Mail sales@sick.com.au

**Belgium/Luxembourg**

Phone +32 (0)2 466 55 66  
E-Mail info@sick.be

**Brasil**

Phone +55 11 3215-4900  
E-Mail sac@sick.com.br

**Canada**

Phone +1(952) 941-6780  
1 800-325-7425 – tollfree  
E-Mail info@sickusa.com

**Ceská Republika**

Phone +420 2 57 91 18 50  
E-Mail sick@sick.cz

**China**

Phone +852-2763 6966  
E-Mail ghk@sick.com.hk

**Danmark**

Phone +45 45 82 64 00  
E-Mail sick@sick.dk

**Deutschland**

Phone +49 211 5301-301  
E-Mail kundenservice@sick.de

**España**

Phone +34 93 480 31 00  
E-Mail info@sick.es

**France**

Phone +33 1 64 62 35 00  
E-Mail info@sick.fr

**Great Britain**

Phone +44 (0)1727 831121  
E-Mail info@sick.co.uk

**India**

Phone +91-22-4033 8333  
E-Mail info@sick-india.com

**Israel**

Phone +972-4-999-0590  
E-Mail info@sick-sensors.com

**Italia**

Phone +39 02 27 43 41  
E-Mail info@sick.it

**Japan**

Phone +81 (0)3 3358 1341  
E-Mail support@sick.jp

**Magyarország**

Phone +36 1 371 2680  
E-Mail office@sick.hu

**Nederlands**

Phone +31 (0)30 229 25 44  
E-Mail info@sick.nl

**Norge**

Phone +47 67 81 50 00  
E-Mail austefjord@sick.no

**Österreich**

Phone +43 (0)22 36 62 28 8-0  
E-Mail office@sick.at

**Polska**

Phone +48 22 837 40 50  
E-Mail info@sick.pl

**România**

Phone +40 356 171 120  
E-Mail office@sick.ro

**Russia**

Phone +7 495 775 05 30  
E-Mail info@sick.ru

**Schweiz**

Phone +41 41 619 29 39  
E-Mail contact@sick.ch

**Singapore**

Phone +65 6744 3732  
E-Mail admin@sicksgp.com.sg

**South Africa**

Phone +27 11 472 3733  
E-Mail info@sickautomation.co.za

**South Korea**

Phone +82-2 786 6321/4  
E-Mail info@sickkorea.net

**Slovenija**

Phone +386 (0)1-47 69 990  
E-Mail office@sick.si

**Suomi**

Phone +358-9-25 15 800  
E-Mail sick@sick.fi

**Sverige**

Phone +46 10 110 10 00  
E-Mail info@sick.se

**Taiwan**

Phone +886 2 2375-6288  
E-Mail sales@sick.com.tw

**Türkiye**

Phone +90 216 528 50 00  
E-Mail info@sick.com.tr

**United Arab Emirates**

Phone +971 4 8865 878  
E-Mail info@sick.ae

**USA/México**

Phone +1(952) 941-6780  
1 800-325-7425 – tollfree  
E-Mail info@sickusa.com

More representatives and agencies  
at [www.sick.com](http://www.sick.com)