



Omni-Directional Bar-Code Reading Systems

A Clear Edge for Your Logistics

The all-in-one solution: CLX490

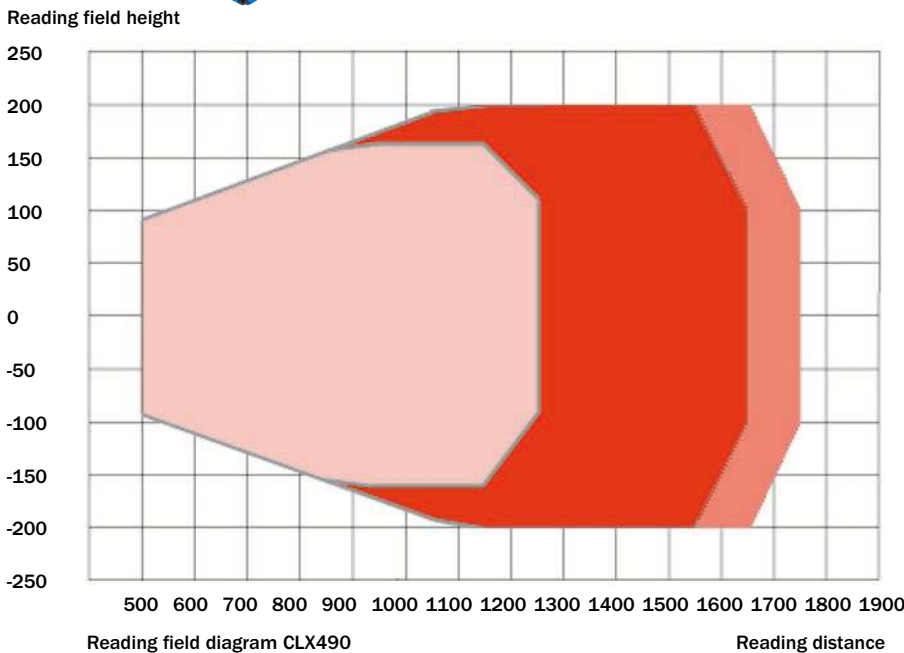


Get your logistics in shape for the Internet business of tomorrow. As markets become more and more deeply involved in the Internet, and demands for speed and quality increase, logistics solutions that can keep pace are in demand. SICK solutions like the compact omni scanner ensure that your logistics will keep up with the market demands of the future. SICK is your best source for electronic commerce equipment. Because SICK provides the technology requirements for your e-logistics concepts of tomorrow.

CLX490 COMPACT OMNI SCANNER



- CLX490-system advantages:**
- Identical scanning frequency and decoding output to the CLV490 bar-code scanner
 - Real-time Autofocus feature and processing of read-gate and path information (tracking) in stand-alone applications
 - Bar-code scanners can be used in an Omni Portal System, e.g. as additional side scanners



- ≥ 0.3 mm
- ≥ 0.35 mm
- ≥ 0.5 mm

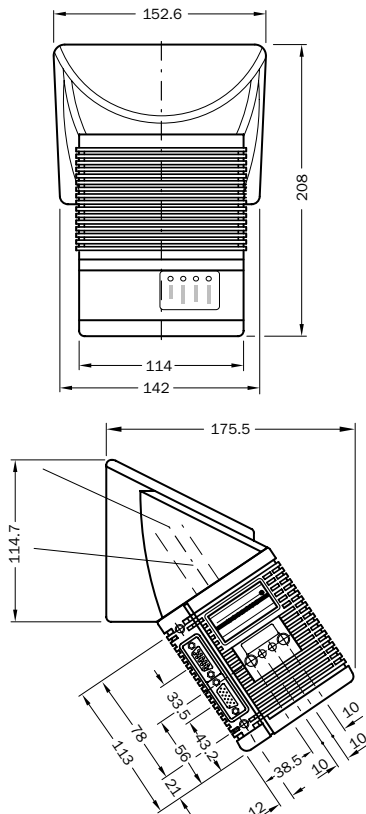
Reading conditions:
 Test code: code 128
 Print contrast: >90 %
 Ambient light: <2,000 lx
 Tilt: omni-directional
 Pitch: -15° to +15°
 Skew: -15° to +15°



Efficient and economical SICK solutions can be used in document handling, for example.



Makes device replacement simple: all parameters are stored in connection plug.



All dimensions in mm

CLX490 Compact Omni Scanner	
Scanner design	X scanner (2 lines offset from each other at a 90° angle)
Light source	Laser diode, red light ($\lambda = 650 \text{ nm}$)
Laser class	2 (acc. to EN/IEC 60825-1)
Ambient light compatibility	2,000 lx (on bar code)
Scanning frequency	600 to 1,200 Hz
Operation and parameterization	With Windows based "CLV Setup" configuration software or command strings
Displays	4 LED status displays
Data interfaces	Host: RS 232, RS 422/485; Terminal: RS 232
Switch inputs /outputs	6 x IN/4 x OUT
Electrical connection	2 x 15-pin D-Sub HD plugs
Operating voltage	18 to 30 V DC
Power consumption	Typically 11 W, max. 16 W
Housing	Aluminum die cast
Enclosure rating	IP 65 (acc. to EN 60529/A1)
Protection class	Class III (acc. to EN 61140)
EMC test	Acc. to EN 61000-6-2, EN 61000-6-3/A11
Weight	Approx. 2.0 kg
Temperature (operating /storage)	0 to +40 °C/-20 to +70 °C