



Bar code scanners  
CLV42x / CLV420 / Standard Range

CLV420-0010



**Model Name** > [CLV420-0010](#)  
**Part No.** > [1022031](#)



**At a glance**

- Easy to configure
- Small housing
- Standard, long-range and high-density versions available
- Front or side reading window versions
- CAN bus compatible
- High scanning frequency of up to 1,200 Hz
- Compatible with optional fieldbus gateways

**Your benefits**

- Accurate code identification even at high speeds
- Easily integrated into a variety of networks, providing flexibility
- Small size and simple setup enables fast installation, even in compact machines
- A variety of diagnostic options ensures easy access for configuration and troubleshooting
- Excellent price/performance ratio
- Parameter cloning plug ensures very short MTTR

**Note: The product is currently being phased out and can be ordered until September 30, 2013. A replacement product can be found under "Replacement Products"**



**Features**

Version:	Standard Range
Connection type:	Standard
Reading field:	Front
Scanner design:	Line scanner
Focus:	Fixed focus
Light source:	Visible red light
MTBF:	20,000 h
Laser class:	2 (DIN EN 60825-1)
Field of view:	≤ 50 °
Scanning frequency:	400 Hz ... 1,200 Hz
Code resolution:	0.2 mm ... 1 mm

Reading distance (at code resolution): 60 mm ... 365 mm (1 mm)

## Performance

---

Bar code types: Interleaved 2 of 5, all current code types, Codabar, Code 128, Code 39, Code 93, EAN, EAN 128, Pharmacode, UPC  
Print ratio: 2:1 ... 3:1  
No. of codes per scan: 1 ... 3  
No. of codes per reading interval: 1 ... 10 (auto-discriminating)  
No. of characters per reading interval: 100  
No. of multiple readings: 1 ... 99

## Interfaces

---

Serial (RS-232, RS-422/485): ✓  
Remark (Serial (RS-232, RS-422/485)): AUX (only RS-232)  
Function (Serial (RS-232, RS-422/485)): Host, AUX  
Data transmission rate (Serial (RS-232, RS-422/485)): 300 Baud ... 57,600 Baud , AUX: 9,600 Baud  
Ethernet: -  
Remark (Ethernet): optional via external connection module (CDM + CMF)  
CAN bus: ✓  
Function (CAN bus): CAN sensor network (Master/Slave, Multiplexer)  
Protocol (CAN bus): CANopen, CSN (SICK CAN sensor network)  
Data transmission rate (CAN bus): 20 kbit/s ... 1 Mbit/s  
PROFIBUS: -  
Remark (PROFIBUS): optional via external connection module (CDM + CMF)  
PROFINET: -  
DeviceNet: -  
Remark (DeviceNet): optional via external connection module (CDM + CMF)  
Switching inputs: 2 ("Sensor 1", "Sensor 2")  
Switching outputs: 2 ("Result 1", "Result 2")  
Reading pulse: non-powered, Reflector polling, "Sensor 1" switching input, serial interface  
Optical indicators: 4 LEDs (function indicator)  
Acoustic indicators: Beeper/buzzer (can be switched off, can be allocated as a result status indication function)

## Mechanics/electronics

---

Electrical connection: 1 15-pin D-Sub HD plug (0.9 m)  
Operating voltage: 10 V DC ... 30 V DC <sup>1)</sup>  
Power consumption: 3.5 W  
Housing: Die-cast zinc, does not contain paint wetting impairment substances  
Housing color: light blue (RAL 5012)  
Enclosure rating: IP 65 (DIN 40 050)  
Protection class: III (VDE 0106)  
Weight: 250 g, with connecting cable  
Dimensions: 59 mm x 62.7 mm x 35.2 mm

<sup>1)</sup> UL certified for use with a Class 2 mains supply unit (checked to UL 1310)

## Ambient data

---

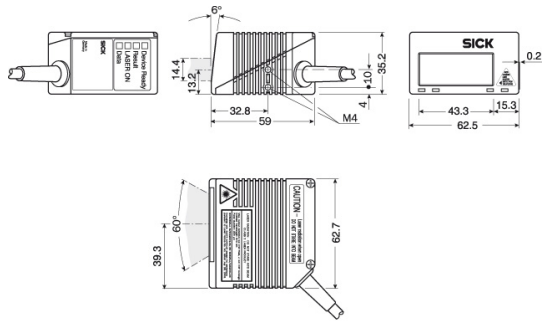
Electromagnetic compatibility (EMC): EN 61000-6-2/EN 55011  
Vibration resistance: IEC 68-2-6 Test FC  
Shock resistance: IEC 68-2-27 Test EA

Ambient operating temperature: 0 °C ... 40 °C  
 Storage temperature: -20 °C ... 70 °C  
 Permissible relative humidity: ± 90 %, non-condensing  
 Ambient light safety: 2,000 lx, on bar code  
 Bar code print contrast (PCS): ≥ 60 %

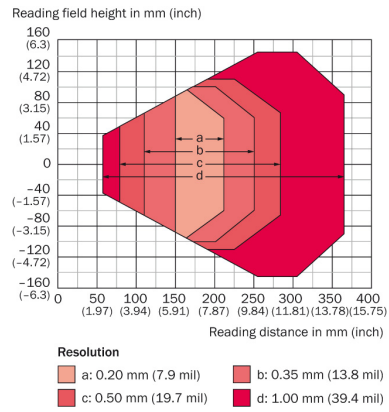
**General notes**

Life cycle phase: phased out

**Dimensional drawing**



**Reading field diagram**



**Australia**

Phone +61 3 9497 4100  
1800 334 802 – tollfree  
E-Mail sales@sick.com.au

**Belgium/Luxembourg**

Phone +32 (0)2 466 55 66  
E-Mail info@sick.be

**Brasil**

Phone +55 11 3215-4900  
E-Mail sac@sick.com.br

**Canada**

Phone +1(952) 941-6780  
1 800-325-7425 – tollfree  
E-Mail info@sickusa.com

**Ceská Republika**

Phone +420 2 57 91 18 50  
E-Mail sick@sick.cz

**China**

Phone +852-2763 6966  
E-Mail ghk@sick.com.hk

**Danmark**

Phone +45 45 82 64 00  
E-Mail sick@sick.dk

**Deutschland**

Phone +49 211 5301-301  
E-Mail kundenservice@sick.de

**España**

Phone +34 93 480 31 00  
E-Mail info@sick.es

**France**

Phone +33 1 64 62 35 00  
E-Mail info@sick.fr

**Great Britain**

Phone +44 (0)1727 831121  
E-Mail info@sick.co.uk

**India**

Phone +91-22-4033 8333  
E-Mail info@sick-india.com

**Israel**

Phone +972-4-999-0590  
E-Mail info@sick-sensors.com

**Italia**

Phone +39 02 27 43 41  
E-Mail info@sick.it

**Japan**

Phone +81 (0)3 3358 1341  
E-Mail support@sick.jp

**Magyarország**

Phone +36 1 371 2680  
E-Mail office@sick.hu

**Nederlands**

Phone +31 (0)30 229 25 44  
E-Mail info@sick.nl

**Norge**

Phone +47 67 81 50 00  
E-Mail austefjord@sick.no

**Österreich**

Phone +43 (0)22 36 62 28 8-0  
E-Mail office@sick.at

**Polska**

Phone +48 22 837 40 50  
E-Mail info@sick.pl

**România**

Phone +40 356 171 120  
E-Mail office@sick.ro

**Russia**

Phone +7 495 775 05 30  
E-Mail info@sick.ru

**Schweiz**

Phone +41 41 619 29 39  
E-Mail contact@sick.ch

**Singapore**

Phone +65 6744 3732  
E-Mail admin@sicksgp.com.sg

**South Africa**

Phone +27 11 472 3733  
E-Mail info@sickautomation.co.za

**South Korea**

Phone +82-2 786 6321/4  
E-Mail info@sickkorea.net

**Slovenija**

Phone +386 (0)1-47 69 990  
E-Mail office@sick.si

**Suomi**

Phone +358-9-25 15 800  
E-Mail sick@sick.fi

**Sverige**

Phone +46 10 110 10 00  
E-Mail info@sick.se

**Taiwan**

Phone +886 2 2375-6288  
E-Mail sales@sick.com.tw

**Türkiye**

Phone +90 216 528 50 00  
E-Mail info@sick.com.tr

**United Arab Emirates**

Phone +971 4 8865 878  
E-Mail info@sick.ae

**USA/México**

Phone +1(952) 941-6780  
1 800-325-7425 – tollfree  
E-Mail info@sickusa.com

More representatives and agencies  
at [www.sick.com](http://www.sick.com)